

TECHNICAL SPECIFICATION SHEET

RSC-900-AW Wireless Plumbing Leak Protection System

BALL VALVE SIZES: 1-2", 3/4", 1", 1-1/4"



- Battery-operated, wireless leak detection system for easy installation and monitoring almost anywhere.
- App-based system provides instant, automatic notifications and remote user interface.
- When a leak is detected, the system shuts off the water supply and sends an instant notification via the free RSC-900 app.
- Kit includes a communication hub, two water sensors and a shutoff valve with wireless actuator.
- Supports multiple actuators for both hot and cold water lines; actuator is rated for indoor and outdoor use (IP68).
- Supports up to 29 total wireless devices – any combination of water flood sensors, actuators or wireless signal repeaters (maximum 2 repeaters).
- Communication hub serves as a gateway that ensures a secure communication between the listed wireless devices and the RSC-900 cloud and mobile app.

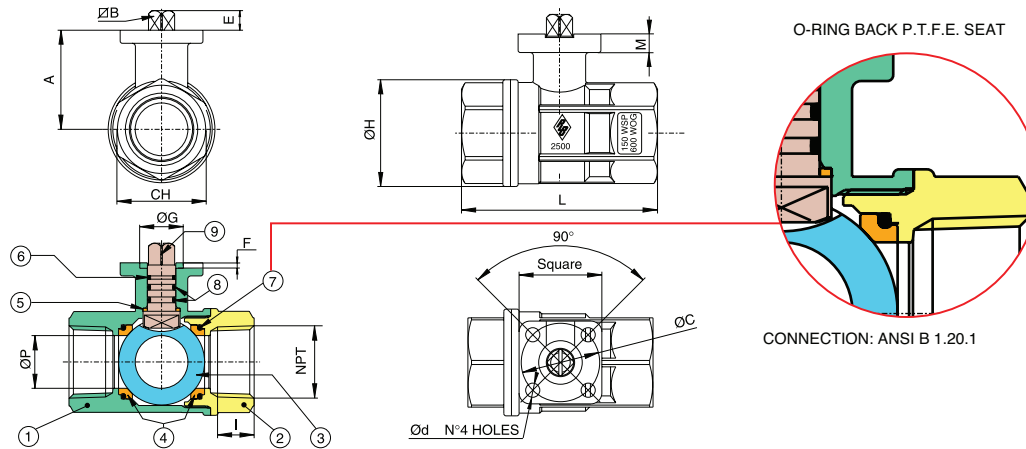
Direct-Mount 2-Way Lead-Free Ball Valve*

The RSC-900-AW includes a 1/2", 3/4", 1", or 1-1/4" direct-mount 2-way lead-free ball valve. The valve is brass and female/female with ISO 5211 pad for actuator mounting.

Water Quality: ANSI/NSF 61 & 372
Full Port: 1/2" to 1-1/4"
Pressure (psi): 600 WOG / 150 WSP
Temperature: To 366°F
Mounting: ISO 5211

1 Body Low-Lead Brass CW 617N UNI EN 12165*
2 End Connection Low-Lead Brass CW 617N UNI EN 12165*
3 Ball Low-Lead Brass CW 617N UNI EN 12165*
4 Ball Seat (2) PTFE
5 Thrust Washer PTFE

6 Stem Seal PTFE
7 O-Ring (2) FKM (Viton®)
8 O-Ring (2) FKM (Viton®)
9 Stem Low-Lead Brass CW 614N UNI EN 12164*



WATER QUALITY
 ANSI/NSF 61
 ANI/NSF 372

* Lead-Free refers to the wetted surface of pipe, fittings and fixtures in potable water systems that have a weighted average lead content = 0.25%
 Source: California Health & Safety Code (116875).
 Vermont Act 193.

Size	Square	A	∠ B	øC	Ød	E	F	øG	øH	I	L	CH	M	øP	CV	psi	Lbs	in-Lbs**
1/2"	1.50	1.28	0.35	1.42 (ISO F03)	0.24	0.35	0.08	0.98	1.32	0.59	2.64	1.06	0.22	0.56	18.84	580	0.31	53.10
3/4"	1.50	1.36	0.35	1.42 (ISO F03)	0.24	0.35	0.08	0.98	1.57	0.64	2.99	1.26	0.22	0.75	34.10	580	0.40	53.10
1"	1.50	1.79	0.35	1.42 (ISO F03)	0.24	0.35	0.12	0.98	1.93	0.75	3.54	1.61	0.24	0.95	49.71	580	0.75	53.10
1-1/4"	1.97	1.93	0.35	1.42 (ISO F03)	0.24	0.35	0.12	0.98	2.30	0.84	4.02	1.97	0.24	1.18	102.88	580	1.05	53.10

** (in-Lbs) Torque values are measured in laboratory tests under the following conditions: TEMPERATURE: 68°F; PRESSURE: 0 PSI; FLUID: PURIFIED WATER.
 MA Board of Registration of Plumbers Approval pending.

RSC-900-AW Wireless Component Descriptions

Communication Hub

The secure, reliable RSC-900-AW hub communicates with connected devices and the cloud. The hub can be mounted to a wall or table top. Each hub supports up to 29 total wireless devices – any combination of water flood sensors, actuators or wireless signal repeaters (maximum 2 repeaters).

Wireless Actuator

The wireless, battery-operated actuator is mounted on an included ball valve (3/4", 1/2", 1, or 1-1/4") that is installed on the main water line. It automatically shuts off the water supply whenever a leak is detected. The user can also manually open and close the valve via the RSC-900 app, actuator multipurpose button or emergency key. The actuator is IP68 rated (water resistant) for indoor or outdoor installation. The kit includes two adapters to mount the actuator either vertically or horizontally in relation to the water line. Multiple actuators can be paired with a single hub (to control both hot/cold feed lines, etc.).

Wireless Sensor

Wireless, battery-operated, addressable water flood sensors are installed in locations that are susceptible to water leaks. Whenever water is detected, a command is sent to the hub to automatically shut off the water supply. The sensor also monitors for high and low temperature (factory preset values). It can be mounted to the wall with either double-sided tape or mounting screws.

RSC-900-AW Wireless Component Specifications

Component	Dimensions	Weight*	Power Supply	Backup Battery	Primary Radio Frequency	Operating Temperature	Communication	Signal Range
Communication Hub	1.02" x 2.68" x 5.16" (25.91 x 68.07 x 131.06 mm)	6 oz (170 gm)	External Adaptor Input 110-240 V AC	(2) AA batteries	915 MHz	-4°F to 122°F (-20°C to 50°C)	Wi-Fi, Ethernet	200'
Wireless Actuator (IP68)	5.6" x 2.87" x 3.62" (142.24 x 72.90 x 91.95 mm)	13 oz (369 gm)	(4) CR123A batteries – 2-year life	N/A	915 MHz	-4°F to 122°F (-20°C to 50°C)	Wireless RF	200'
Wireless Sensor	1.20" x 3.80" x 6.30" (30.48 x 96.52 x 27.94 mm)	2 oz (57 gm)	(2) AAA batteries – 2-year life	N/A	915 MHz	-4°F to 122°F (-20°C to 50°C)	Wireless RF	200'

* Weight without accessories attached.