



TECHNICAL SUBMITTAL DATA SHEET

Hose-Fed Appliance Leak Detection & Automatic Shut-Off System

Job Name: _____

Job Location: _____

Engineer: _____

Engineer Approval: _____

Contractor: _____

Contractor Approval: _____

Contractor P.O.: _____

Representative: _____

MODEL RS-092

TYPICAL INSTALLATIONS INCLUDE:

- Dishwashers, ice makers, and beverage dispensers
- Commercial break rooms
- Residential water treatment and reverse osmosis (RO) systems
- Restaurants and food courts
- Common-risk housing – condos and apartments
- New and retrofit construction

HIGHLY RECOMMENDED FOR:

- Commercial office buildings
- Multi-residential complexes
- Academic, institutional and industrial facilities
- Any facility with a history of insurance claims for water damage

FEATURES:

- 1/2" full port valve
- Fittings: (1) 3/8" x 1/2" male compression and (1) 3/8" x 1/2" female compression
- Choice of standard wall wart or step-down transformer to power the unit
- Re-useable and testable
- Easy reset button
- Snap-fit actuator allows for manual operation of the valve
- Audible alarm (83 dB)
- N/O and N/C dry contacts
- Factory pre-wired



APPLICATION CONSIDERATIONS:

Hose-fed appliance failures can happen at any time, often without warning and hidden from view. These leaks can cause substantial flooding and property damage if allowed to run for more than even just a few minutes' time. The RS-092 system is designed to minimize water damage when these leaks occur.

INSTALLATION OVERVIEW:

The RS-092 full port valve installs on the hard pipe feed water line between the manual shut-off and the hose line, using the provided 1/2" NPT x 3/8" fittings. Lay the wire rope sensor under the appliance or around the area where water from a leak is most likely to accumulate. When the sensor detects leaking water, an alarm will sound and the valve will automatically shut off the feed water intake to prevent catastrophic water damage.

The RS-092 is available in two electrical supply configurations: standard 120V AC wall wart (MK1) or 120, 208 or 240V AC to 24V AC step-down transformer (MK2). Components come pre-wired. The system can be performance tested anytime; it is resettable via reset button on actuator. Optional dry contact connections (NO/C/NC) are available for fault notification to existing security panel or BMS.

Emergency manual operation of the valve is accomplished by removing the snap-fit actuator and manually changing the valve to open or closed. In the event of a power failure, the valve will remain in position (either open or closed).



203-488-2684 or 888-771-4929
 info@RelianceDetection.com
 www.RelianceDetection.com

RS-092 TECHNICAL SUBMITTAL DATA SHEET

ORDERING INFORMATION:

Valve Size	P/N	UPC
1/2"	RS-092-1/2-MK1	857640005847
1/2"	RS-092-1/2-MK2	857640005854

POWER SUPPLY:

MK1 120V AC Wall Wart

MK2 120, 208 or 240V AC to 24V AC
Step-Down Transformer

OPERATING SPECIFICATIONS:

Valve

Pressure Rating 600 WOG - 150 WSP

Max. Temperature 366°F

Max. Pressure Tested to 80 PSI

Receiver Box / Actuator

Transformer 120V AC

Voltage 24V AC

Absorbed Current 0.6 A

Absorbed Power 15V A

Frequency 50/60 Hz

Working Temp. 0° to 100°F

Square Drive 0.43

Audible Alarm 83 dB

MATERIALS:

Valve

Body Low-lead brass

End Connection ... Low-lead brass

Stem Low-lead brass

Ball Low-lead brass
(tea coated)

Ball Seats PTFE

O-Rings FKM (Viton®)

CABLE LENGTHS:

Power Cord 12'

Sensor Cable 6' lead wire with 10' of
sensing cable (extension
lengths are available)

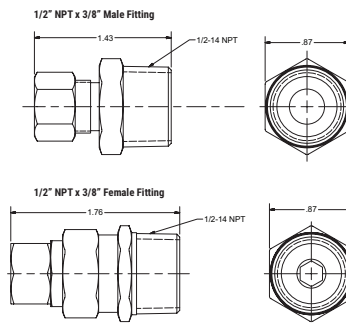
APPROVALS:

NSF/ANSI 61 and 372 approved valve.

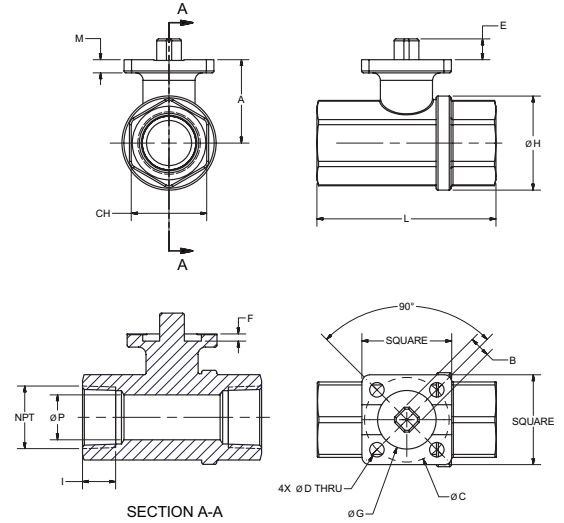
MA Board of Registration of Plumbers
Approval – Code # P1-0617-575.

DIMENSIONS & WEIGHTS:

Compression Fittings



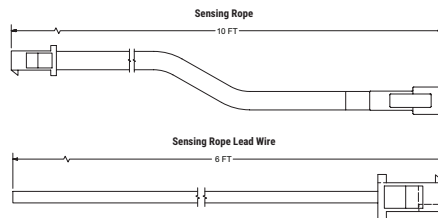
Shut-Off Valve



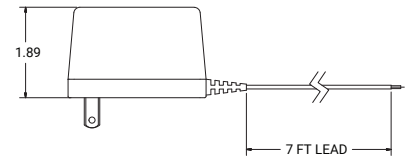
Size	Square	A	B	C	D	E	F	G	H	I	L	CH	M	P	CV	PSI	LBS	IN-LBS
1/2"	1.50	1.28	0.35	1.42 (ISO F03)	0.24	0.35	0.08	0.98	1.32	0.59	2.64	1.06	0.22	0.56	18.84	580	0.21	53.10

(IN-LBS) TORQUE VALVES ARE MEASURED IN LABORATORY TESTS UNDER THE FOLLOWING CONDITIONS: TEMPERATURE: 68°F; PRESSURE: 0 PSI; FLUID: PURIFIED WATER.

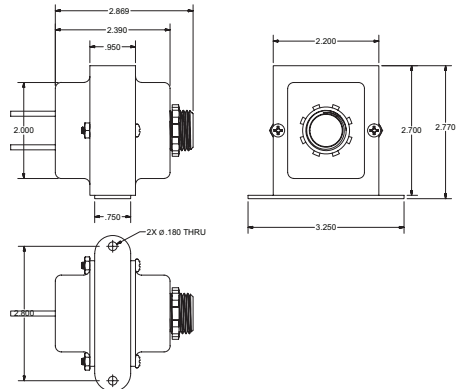
Wire Rope Sensor



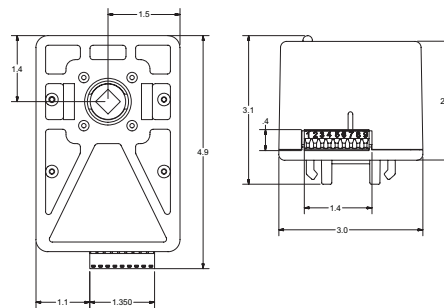
MK1 Wall Wart



MK2 Step-Down Transformer



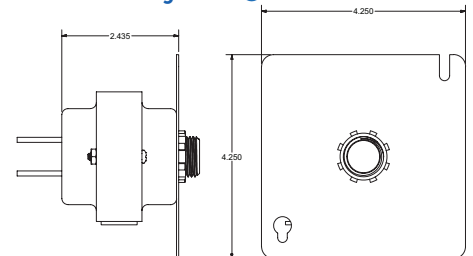
Receiver Box / Actuator



AVAILABLE ACCESSORIES:

- **Wired Sensor Pucks & Sensing Ropes** – Up to 5 additional sensors can be wired to a single RS-092 receiver box.
- **Auto Dialer** – Receive automatic alerts whenever the RS-092 identifies a fault condition.

MK2 Mounting Plate



RDT recommends that installations be completed by a licensed plumber to ensure that all local code requirements are followed.



Reliance Detection Technologies, LLC
27 Business Park Drive
Branford, CT 06405

203-488-2684 or 888-771-4929
info@RelianceDetection.com
www.RelianceDetection.com