



Installation Manual

RS-096-MK6

WITH STEP-DOWN TRANSFORMER AND PLENUM-RATED WIRES

Operation and Installation Instructions for FloodMaster RS-096-MK6 Leak Detection Alarm System for Plenum Spaces

SYSTEM OVERVIEW:

The RS-096-MK6 Leak Detection Alarm System is designed to sound an audible alarm when the sensor puck comes in contact with conductive liquid (such as water). The unit wires directly to a power source (120, 208 or 240 VAC) via step-down transformer; mounting plate included. Ideal for **plenum space installations**, the kit also includes plenum-rated power and sensor wires. In the event the alarm activates, remove the sensor puck from the liquid and dry the metal contacts. Correct the problem causing the leak and place the sensor puck in the desired leak detection location once again as required. The green power ON/OFF indicator light on the alarm box will illuminate to indicate power to the unit.



All units provide an optional connection to a home security alarm system or control panel. Additional sensor pucks can also be added to the system for a wider area of leak detection.

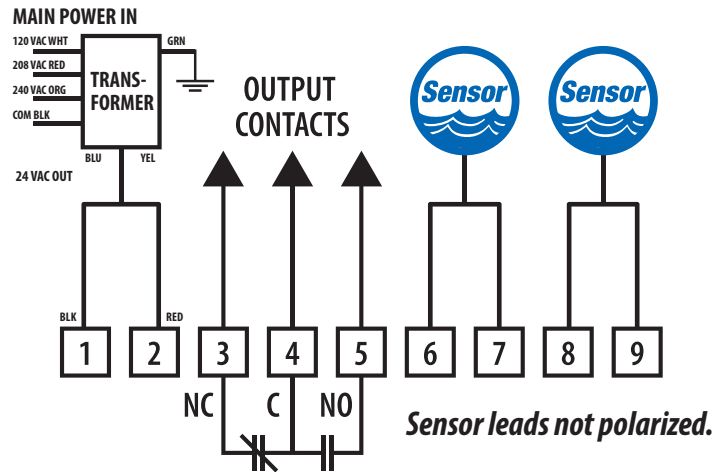
INSTALLATION INSTRUCTIONS:

1. Mount the alarm box in the desired location using supplied two-sided tape.
2. The receiver connector comes pre-wired with basic connections to the power supply and the sensor. Using an appropriate screwdriver, make any additional electrical connections as may be desired for output contacts or additional sensors per the diagram provided.

(Note: additional sensors can be connected to either 6 & 7 or 8 & 9, as wiring space allows).

- Snap the terminal wiring block into the receiver housing at the mating slot provided.

3. Turn off the main power. Wire the appropriate inputs to the main power source. Wire the blue and yellow wires (24 VAC output) to the plenum wire that is prewired to the power input of the contact plug. Turn on the main power. The green Power indicator light on the receiver will turn on.
4. Test the unit by placing a damp paper towel across both steel pins found on the bottom of the sensor puck; the audible alarm will sound.
5. To silence the audible alarm, dry the steel pins and place the sensor puck back in its desired location.



Reliance Detection Technologies, LLC
 27 Business Park Drive, Branford, CT 06405

RelianceDetection.com 888-771-4929
 • Tel: 203-488-2684 • Fax: 203-481-5036



• info@RelianceDetection.com



Installation Manual

RS-096-MK6

WITH STEP-DOWN TRANSFORMER AND PLENUM-RATED WIRES

TRANSFORMER WIRING INSTRUCTIONS:

The supplied transformer has multiple input taps to accommodate different line voltages. If the existing line voltage you have at your facility is:

120 VAC – The **WHITE** wire from the transformer should be connected to the hot leg of the input voltage and the black wire to the neutral leg.

208 VAC – The **RED** wire from the transformer should be connected to the hot leg of the input voltage and the black wire to the neutral leg.

240 VAC – The **ORG** wire from the transformer should be connected to the hot leg of the input voltage and the black wire to the neutral leg.

The **GREEN** wire in all cases must be connected to **EARTH GROUND**.

Each wiring combination as stated above yields the same 24 VAC output across the **BLUE** and **YELLOW** wires of the secondary winding of the transformer.

TRANSFORMER MOUNTING INSTRUCTIONS:

The kit contains a cover plate for a standard junction box. The cover has a hole or knock out in the center of it. The cover plate is designed such that the transformer can be mounted to it and then screwed into the junction box.

1. In order to mount the transformer to the cover, carefully route the primary wires of the transformer through the hole in the cover.
2. Tilt the cover so that the head of the retaining screw on the transformer is over the cover.
3. Back the screw out until the cover slips under the threaded end of the retaining screw.
4. Tighten the screw until the transformer is secured on the cover. The threaded end of the screw is designed to press against the cover to hold the transformer in place.

OPTIONAL FEATURES AND CONNECTIONS:

Additional Sensor Pucks – For applications where a wider area of leak detection coverage is desired, additional sensor pucks can be added to the system. Wire additional sensor pucks to the terminal strip to pins 6 & 7 or 8 & 9. Additional sensor pucks are sold separately; custom lengths are available.

Security Alarm Connection – Use for applications where connection to a home security system or control panel is desired. This dry contact relay signal can be wired per your application requirements as follows:

Normally Closed Circuit – 3 & 4

Normally Open Circuit – 4 & 5

The dry contact relay signal will need to be reset after each time the unit alarms. The signal can be reset by unplugging the power supply from the wall outlet for approximately 5 seconds before plugging it back in.



Reliance Detection Technologies, LLC

27 Business Park Drive, Branford, CT 06405

RelianceDetection.com 888-771-4929

Tel: 203-488-2684 • Fax: 203-481-5036



• info@RelianceDetection.com