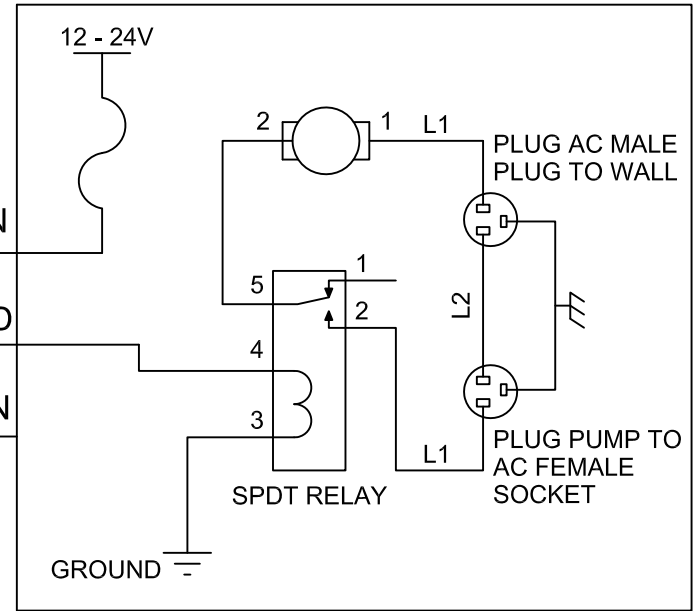
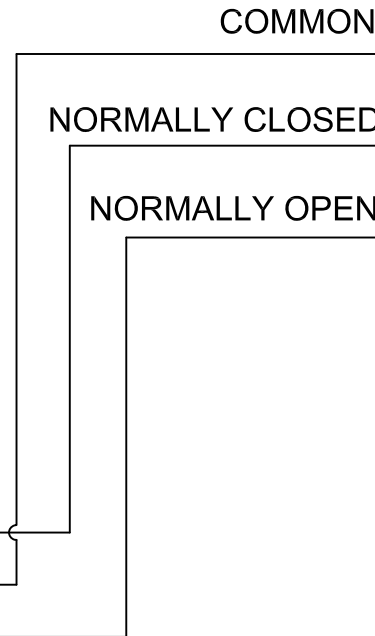
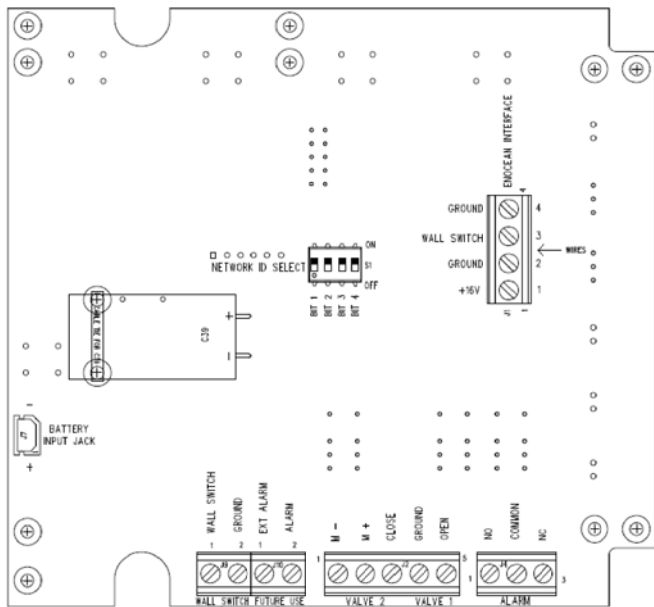


# RELAY SIGNAL OUTPUT

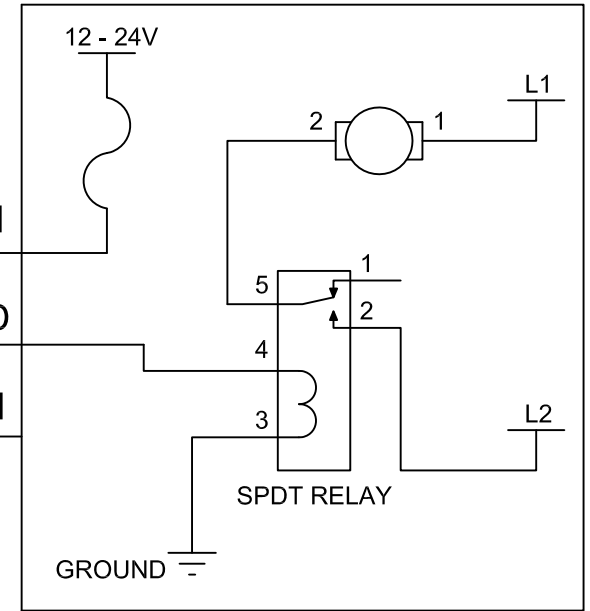
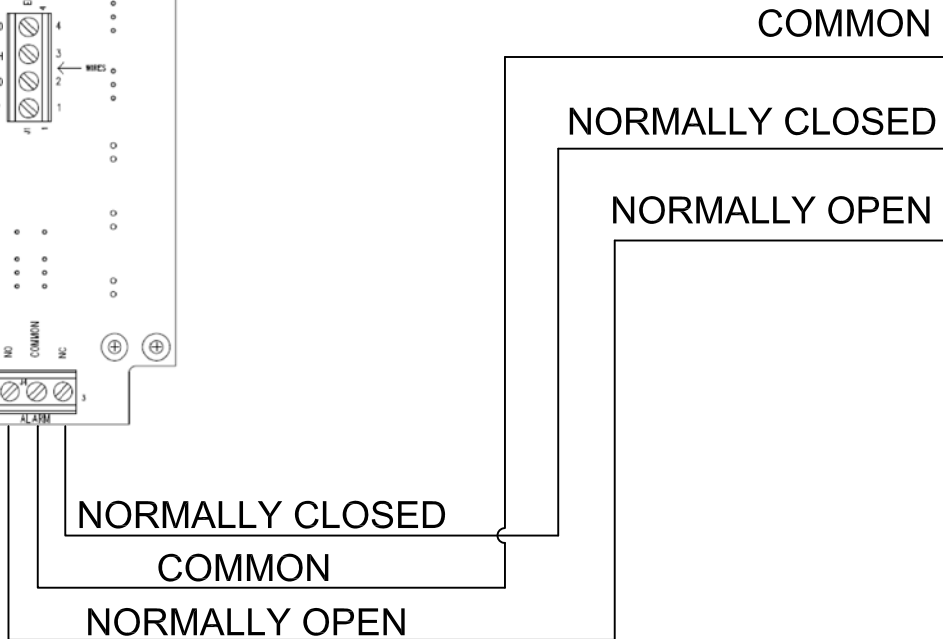


RS-360 Wiring Schematic:  
Dry Signal Contact  
Wiring to a Plug-In  
Relay

PROPRIETARY INFORMATION	UNLESS OTHERWISE SPECIFIED	INITIALS	DATES	FloodMaster LLC 27 Business Park Drive Branford, CT 06405		
		BB	1/20/2015			
THE INFORMATION CONTAINED IN THIS DOCUMENT IS THE PROPERTY OF FLOOD MASTER COMPANY. IT IS SUBJECT TO RETURN UPON DEMAND AND MAY NOT BE REPRODUCED OR OTHERWISE DISCLOSED WITHOUT WRITTEN PERMISSION FROM FLOOD MASTER COMPANY.	DIMENSIONS ARE IN INCHES			TITLE: RS-360 Optional Control Wiring		
				SIZE: A	CAGE Code: None	DWG NO.: 063-M04785
				SCALE: None		SHEET: 1



## RELAY SIGNAL OUTPUT



RS-360 Wiring Schematic:  
Dry Signal Contact  
Wiring to a Relay

PROPRIETARY INFORMATION	UNLESS OTHERWISE SPECIFIED	INITIALS	DATES	FloodMaster LLC 27 Business Park Drive Branford, CT 06405		
		BB	1/20/2015			
THE INFORMATION CONTAINED IN THIS DOCUMENT IS THE PROPERTY OF FLOOD MASTER COMPANY. IT IS SUBJECT TO RETURN UPON DEMAND AND MAY NOT BE REPRODUCED OR OTHERWISE DISCLOSED WITHOUT WRITTEN PERMISSION FROM FLOOD MASTER COMPANY.	DIMENSIONS ARE IN INCHES			TITLE: RS-360 Optional Control Wiring		
				SIZE: A	CAGE Code: None	DWG NO.: 063-M04786
				SCALE: None		SHEET: 1