

RS-360 Wireless Plumbing Leak Protection System

1-1/2" and 2" Valve Technical Specifications



- Disables the water supply to your home or facility when a plumbing leak or low temperature is detected
- Activates audible alarm and sends signal to home security system
- Unit must be manually reset by user before the system will allow water to flow again
- Full port, lead-free brass ball valve; suitable for potable water
- On-board battery backup for 24/7 protection against water damage
- Full range of accessories available to tailor the system to meet any application

Dimensions

Model #	Description	Receiver L x W x H	Sensor L x H	Wall Plug Length	Sensor Range
RS-360	Wireless Total Water Main Shut-Off	8.25" x 5" x 3"	4.25" x 1.25"	6'	100'

Direct Mount 2-Way Lead-free Ball Valve*

Brass ball valve, female/female, with ISO 5211 pad for actuator

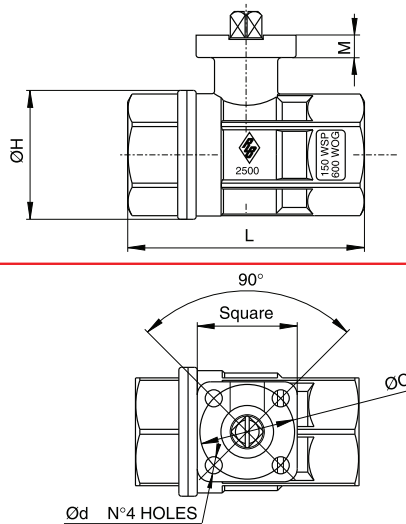
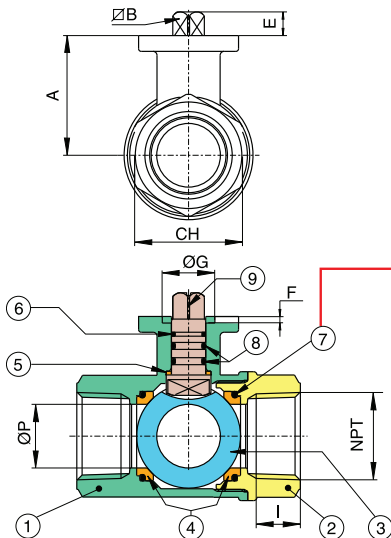
- **WATER QUALITY ANSI/NSF 61 ANNEX G**
- Pressure rating 600 WOG - 150 WSP
- Temperature to 366°F
- Blow out proof stem, chrome plated brass ball
- P.T.F.E. seats with O-RING backing for low operating torque
- P.T.F.E. seats and double O-RING stem packing
- 100% electronically tested in the open and closed position at 80 psi



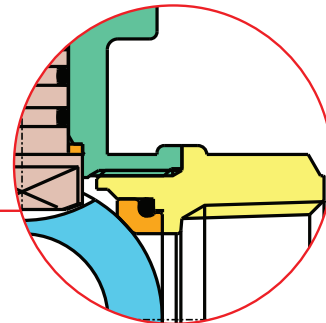
N POS	Part Name	Material	N PCS
1	Body	Low Lead Brass*	1
2	End Connection	Low Lead Brass*	1
3	Ball	Low Lead Brass* Tea Coated	1
4	Ball Seat	P.T.F.E.	2
5	Thrust Washer	P.T.F.E.	1
6	Stem Seal	P.T.F.E.	1
7	O-RING	FKM (Viton®)	2
8	O-RING	FKM (Viton®)	2
9	Stem	Low Lead Brass*	1

* Lead free refers to the wetted surface of pipe, fittings and fixtures in potable water systems that have a weighted average lead content = 0.25%

Source: California Health & Safety Code (116875). Vermont Act 193



O-RING BACK P.T.F.E. SEAT



CONNECTION: ANSI B 1.20.1

(in-Lbs) Torque values in the table below are measured in laboratory tests under the following conditions:
TEMPERATURE: 68° F
PRESSURE: 0 PSI
FLUID: PURIFIED WATER

Size	Square	A	∠B	øC	Ød	E	F	øG	øH	I	L	CH	M	øP	CV	psi	Lbs	in-Lbs*
1-1/2"	1.97	2.52	0.43	1.97 (ISO F05)	0.28	0.43	0.12	1.38	2.87	0.84	4.49	2.17	1.39	1.50	265.88	580	1.73	150.46
2"	1.97	2.88	0.43	1.97 (ISO F05)	0.28	0.43	0.12	1.38	3.60	1.01	5.43	2.76	0.31	1.98	306.34	580	2.98	150.46

MA Board of Registration of Plumbers Approval from 05/06/2015 – 05/06/2018 Code # P1-0515-489.

Electric Actuator

- Housing made from a V0 self-extinguish class techno-polymer material.
- Direct connection of actuator to valves is made via a painted die-cast aluminum plate with a dual drilled ISO 5211 interface.
- Electronic circuit automatically adjusts the motor speed, (depending on torque variations), to keep cycle time constant.
- Electronic System and torque limiter are standard.
- Standard heater is activated once actuator is powered, and when the temperature inside the housing drops below 77° F to prevent condensation.



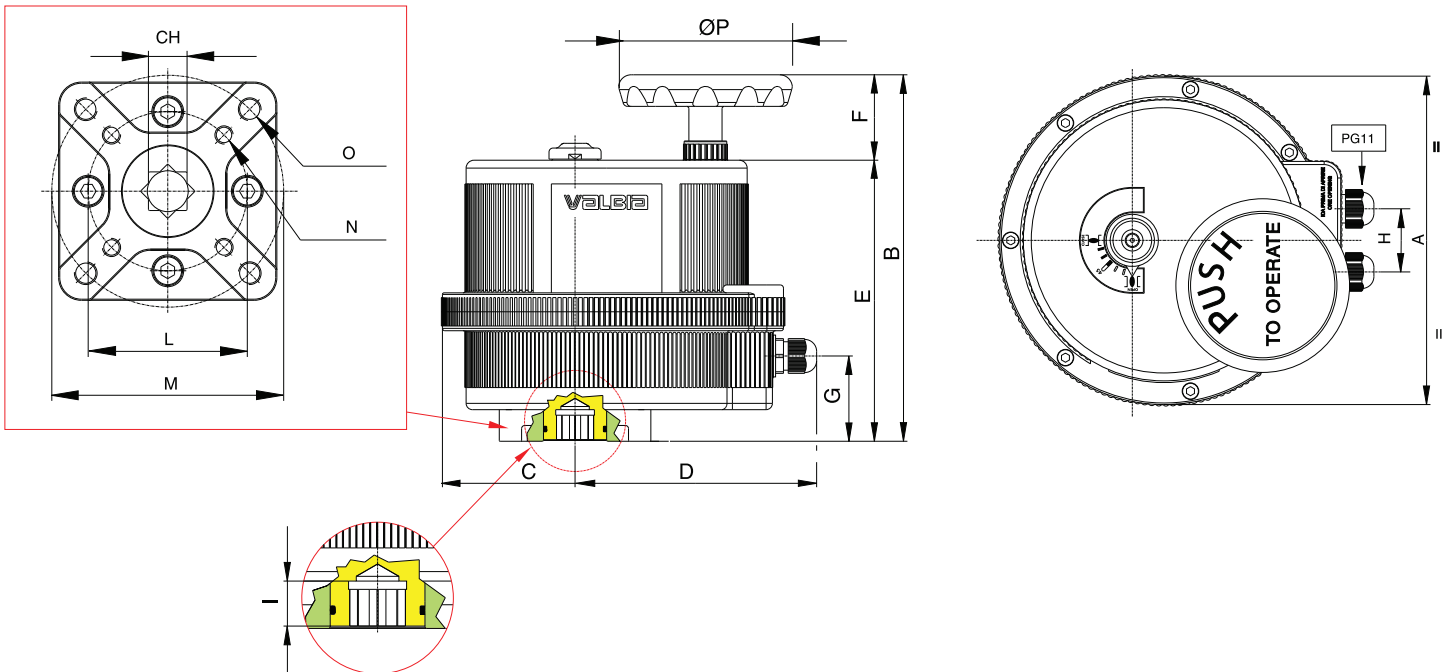
Electric Actuator Specifications

Max Working Torque (in-Lbs.): 266
 Voltage (V) - Low Voltage: 12 VDC
 Working Time (sec): 8
 Torque Limiter: STD
 Duty Rating: 75%
 Protection: IP67
 Rotation: 90°
 Upon Request: 180° or 270°
 Manual Intervention: STD
 Position Indicator: STD

Working Temperature: -4°F + 131°F
 Heater: STD
 Drilling ISO 5211 Pad: F03 - F05
 Square Inch: 0.43
 Weight (Lbs.): 5.07

Electric Actuator Power Consumption

Nominal Voltage: 12 VDC
 Absorbed Current: 2.0A
 Absorbed Power: 24 VA
 Frequency: 50/60 Hz



Model	DRILLING ISO 5211	CH	A	B	C	D	E	F	G	H	I	L	M	N	O	ØP
VB030	F03-F05*	0.43	6.18	7.40	2.38	5.12	5.75	1.65	1.30	1.42	0.47	1.42	1.97	10-24 UNC 2BX0.47	1/4-20 UNC 2BX0.55	2.56

* Upon request F04 only

MA Board of Registration of Plumbers Approval from 05/06/2015 – 05/06/2018 Code # P1-0515-489.

