

M4500 Miniature Brass Float Switch with 1/8" NPT Stem

Miniature Brass Liquid Level Float Switch

The M4500 miniature liquid level float switch has a brass stem and a Buna-N float. Buna-N is typically suitable for use with aromatic hydrocarbons, diluted acids, and bases. This miniature float switch works well in petroleum fluids, and mounts easily to an NPT pipe fitting to be extended into fluids via standard pipe, for high or low level float switch liquid control.

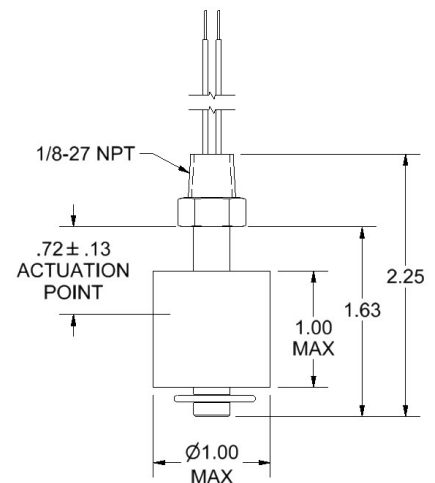


Specifications

M4500 – Miniature Brass Float Level Switch	
Stem Material	Brass
Float Material	Buna-N
Fitting Type	1/8" NPT Pipe Thread
Max. Temperature	105°C
Max. Pressure	150 PSIG
Float SG	0.45 SG
Switch Rating	30 Watt, 240V max. (AC/DC), SPST
Lead Wires	24", 22 AWG, Teflon Insulated (Standard)
Approvals	CE, UL, CSA, ABS
Availability	Stock

Custom configurations available. Contact Madison Company or your sales representative to discuss your application.

Note: SPST = Single Pole, Single Throw



Applications

- ◆ Petroleum-based liquids, such as lubricating oils, gasoline and diesel fuels
- ◆ Storage tanks of vehicles, generators, transmissions and hydraulic systems
- ◆ Fluid recovery, refining and fuel processing switch level indication

Electrical Ratings

Switches are rated for resistive loads. The table below represents the UL guidelines for current (Amperes resistive) at different voltages.

AC Voltage		
30 VA Nominal	at 120 VAC	0.28 amps max
30 VA Nominal	at 240 VAC	0.14 amps max
DC Voltage		
30 Watt Nominal	at 24 VDC	0.28 amps max
30 Watt Nominal	at 120 VDC	0.07 amps max