



# RS-094 Water Tank Shut-Off System

## 1/2", 3/4", 1" and 1-1/4" Valve Technical Specifications



- Disables the water supply to your home or appliance
- Activates audible alarm and sends a signal to the home security system
- It must be manually reset by resident before the system will allow water to flow
- CSA TIL-MSE-50 and UL ANSI 61 Annex G Approved Actuator and Valve
- MA Board of Registration of Plumbers Approval From 05/06/2015 – 05/06/2018 Code #P1-0515-489

### Dimensions

RS-094 available with valve sizes 1/2", 3/4", 1" and 1-1/4" dia.

Model #	Description	Alarm Control L x W x H	Sensor L x H	Wall Plug L x W x H	Sensor Range
RS-094	Water Tank Shut-Off	3" x 3" x 5"	3" x 1"	2.25" x 2" x 3"	8'

### Direct Mount 2-Way Lead-free Ball Valve\*

Brass ball valve, female/female, with ISO 5211 pad for actuator

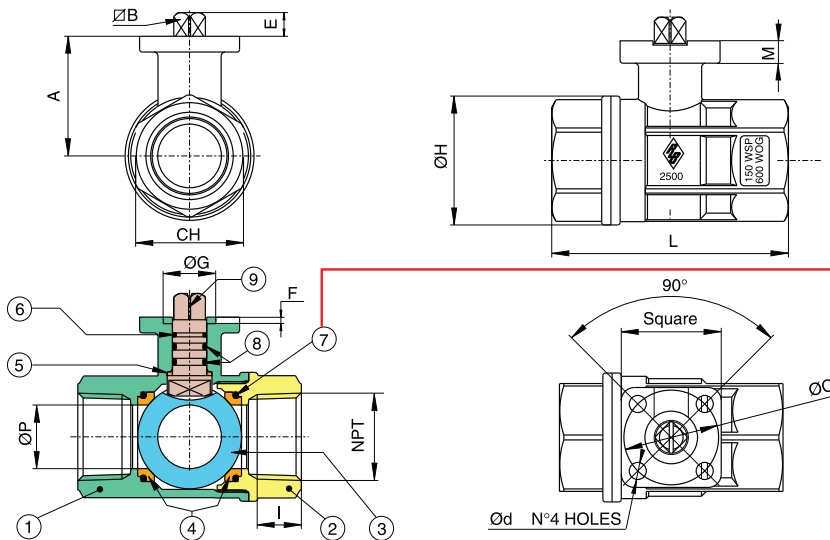
- WATER QUALITY ANSI/NSF 61 ANNEX G
- Full port from 1/2" to 1-1/4"
- Pressure rating 600 WOG - 150 WSP
- Temperature to 366°F
- Blow out proof stem, chrome plated brass ball
- P.T.F.E. seats with O-RING backing for low operating torque
- P.T.F.E. seats and double O-RING stem packing
- 100% electronically tested in the open and closed position at 80 psi



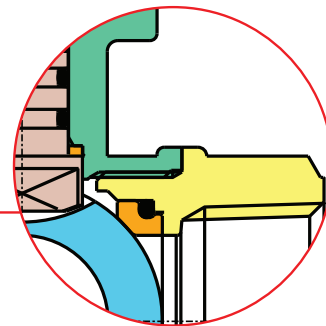
N POS	Part Name	Material	N PCS
1	Body	Low Lead Brass*	1
2	End Connection	Low Lead Brass*	1
3	Ball	Low Lead Brass* Tea Coated	1
4	Ball Seat	P.T.F.E.	2
5	Thrust Washer	P.T.F.E.	1
6	Stem Seal	P.T.F.E.	1
7	O-RING	FKM (Viton®)	2
8	O-RING	FKM (Viton®)	2
9	Stem	Low Lead Brass*	1

\* Lead free refers to the wetted surface of pipe, fittings and fixtures in potable water systems that have a weighted average lead content = 0.25%

Source: California Health & Safety Code (116875).  
Vermont Act 193



O-RING BACK P.T.F.E. SEAT



CONNECTION: ANSI B 1.20.1

(in-Lbs) Torque values in the table below are measured in laboratory tests under the following conditions:  
TEMPERATURE: 68°F  
PRESSURE: 0 PSI  
FLUID: PURIFIED WATER

Size	Square	A	∠B	øC	Ød	E	F	øG	øH	I	L	CH	M	øP	CV	psi	Lbs	in-Lbs*
1/2"	1.50	1.28	0.35	1.42 (ISO F03)	0.24	0.35	0.08	0.98	1.32	0.59	2.64	1.06	0.22	0.56	18.84	580	0.31	53.10
3/4"	1.50	1.36	0.35	1.42 (ISO F03)	0.24	0.35	0.08	0.98	1.57	0.64	2.99	1.26	0.22	0.75	34.10	580	0.40	53.10
1"	1.50	1.79	0.35	1.42 (ISO F03)	0.24	0.35	0.12	0.98	1.93	0.75	3.54	1.61	0.24	0.95	49.71	580	0.75	53.10
1-1/4"	1.97	1.93	0.35	1.42 (ISO F03)	0.24	0.35	0.12	0.98	2.30	0.84	4.02	1.97	0.24	1.18	102.88	580	1.05	53.10

MA Board of Registration of Plumbers Approval from 05/06/2015 – 05/06/2018 Code # P1-0515-489.



Reliance Detection Technologies, LLC

RelianceDetection.com 888-771-4929

27 Business Park Drive, Branford, CT 06405 • Tel: 203-488-2684 • Fax: 203-481-5036 • info@RelianceDetection.com





# RS-094 Water Tank Shut-Off System

## 1/2", 3/4", 1" and 1-1/4" Valve Technical Specifications

### Electric Actuator

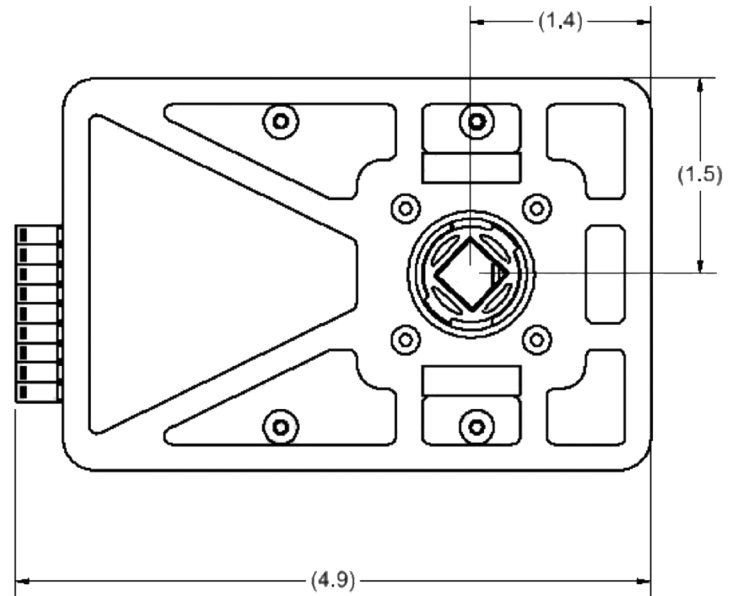
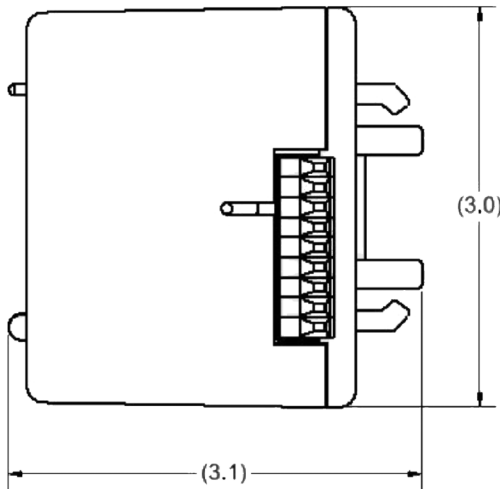
#### Electric Actuator Specifications

Voltage (V) - Low Voltage:	24V AC
Working Time (sec):	45
Rotation:	90°
Manual Intervention:	Allowed
Position Indicator:	LED (For closed)
Working Temperature:	0°F + 100°F
Square Drive:	0.43
Audible Alarm:	83dB
Weight (Lbs.):	0.9



#### Electric Actuator Power Consumption

Nominal Voltage:	24V AC
Absorbed Current:	0.6A
Absorbed Power:	15 VA
Frequency:	50/60 Hz



MA Board of Registration of Plumbers Approval from 05/06/2015 – 05/06/2018 Code # P1-0515-489.



**Reliance Detection Technologies, LLC** RelianceDetection.com 888-771-4929

27 Business Park Drive, Branford, CT 06405 • Tel: 203-488-2684 • Fax: 203-481-5036 • info@RelianceDetection.com

Exclusively distributed by Reliance Detection Technologies, LLC.



© Copyright 2015 Reliance Detection Technologies, LLC – A Madison Company – 11/2015