



TECHNICAL SPECIFICATION SHEET

RS-092 Hose-Fed Appliance Leak Detection & Shut-Off System

BALL VALVE SIZE: 1/2" WITH 3/8" FITTINGS



- Disables the water supply to your hose-fed appliance (dishwasher, ice maker, RO system, beverage dispenser, etc.) when a water leak is detected.
- Activates audible alarm sends a signal to a home security system.
- System is reusable – when the alarm sounds, fix the problem and manually reset the unit for continued protection.
- Fittings: (1) 3/8" x 1/2" male compression and (1) 3/8" x 1/2" female compression.
- CSA TIL-MSE-50 and UL ANSI 61 Annex G Approved actuator and valve.
- MA Board of Registration of Plumbers Approval pending.

RS-092 Component Dimensions

Model #	Description	Alarm Control (L x W x H)	Sensor	Electrical	
RS-092	Water Shut-Off System	3" x 3" x 5"	6' Lead Wire with 10' Sensing Rope	MK1: 120 VAC Wall Wart	MK2: Step-Down Transformer (120, 208 or 240 VAC to 24 VAC)

Direct-Mount 2-Way Lead-Free Ball Valve*

Brass ball valve, female/female, with ISO 5211 pad for actuator.

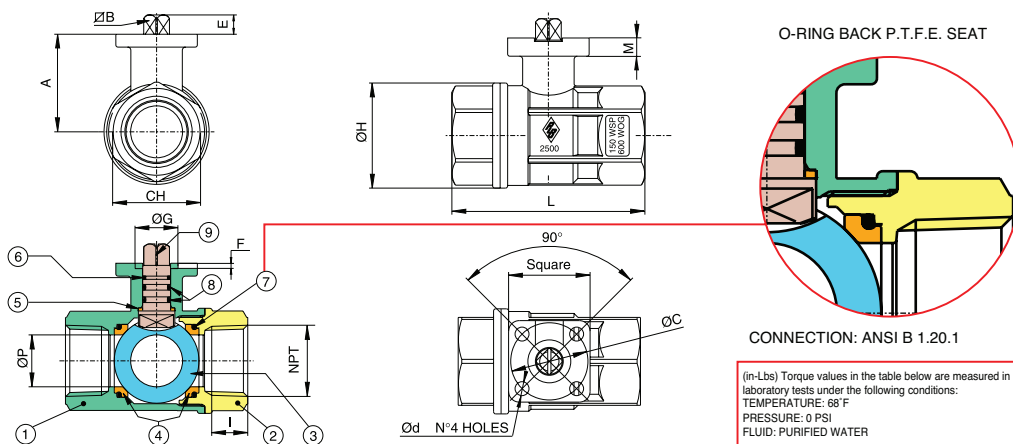
- WATER QUALITY ANSI/NSF 61 ANNEX G
- Full port 1/2"
- Pressure rating 600 WOG - 150 WSP
- Temperature to 366°F
- Blow-out proof stem, chrome plated brass ball
- P.T.F.E. seats with O-RING backing for low operating torque
- P.T.F.E. seats and double O-RING stem packing
- 100% electronically tested in the open and closed position at 80 psi



N POS	Part Name	Material	N PCS
1	Body	Low Lead Brass*	1
2	End Connection	Low Lead Brass*	1
3	Ball	Low Lead Brass* Tea Coated	1
4	Ball Seat	P.T.F.E.	2
5	Thrust Washer	P.T.F.E.	1
6	Stem Seal	P.T.F.E.	1
7	O-RING	FKM (Viton®)	2
8	O-RING	FKM (Viton®)	2
9	Stem	Low Lead Brass*	1

*Lead-Free refers to the wetted surface of pipe, fittings and fixtures in potable water systems that have a weighted average lead content = 0.25%

Source: California Health & Safety Code (116875). Vermont Act 193



Size	Square	A	B	øC	Ød	E	F	øG	øH	I	L	CH	M	øP	CV	psi	Lbs	in-Lbs**
1/2"	1.50	1.28	0.35	1.42 (ISO F03)	0.24	0.35	0.08	0.98	1.32	0.59	2.64	1.06	0.22	0.56	18.84	580	0.21	53.10

** (in-Lbs) Torque values are measured in laboratory tests under the following conditions: TEMPERATURE: 68°F; PRESSURE: 0 PSI; FLUID: PURIFIED WATER.

MA Board of Registration of Plumbers Approved from 06/07/2017 – 06/07/2020 (Code P1-0617-575).



Reliance Detection Technologies, LLC RelianceDetection.com 888-771-4929
 27 Business Park Drive, Branford, CT 06405 • Tel: 203-488-2684 • Fax: 203-481-5036 • info@RelianceDetection.com





TECHNICAL SPECIFICATION SHEET

RS-092 Hose-Fed Appliance Leak Detection & Shut-Off System

BALL VALVE SIZE: 1/2" WITH 3/8" FITTINGS

Electric Actuator

Electric Actuator Specifications:

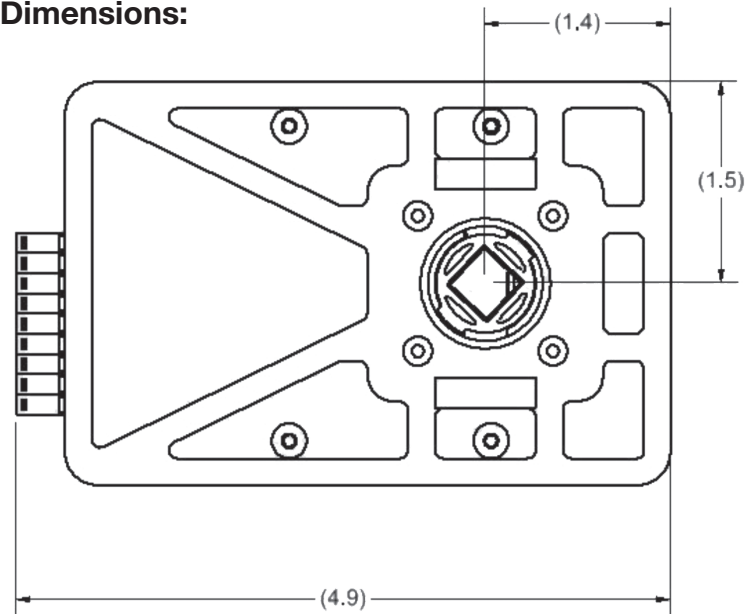
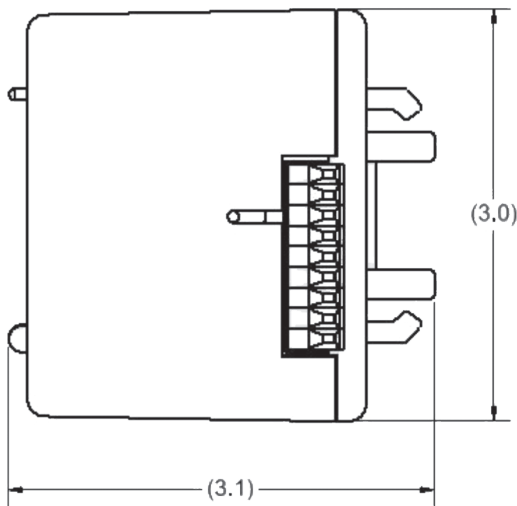


Voltage (V) - Low Voltage:	24 VAC
Working Time (sec):	45
Rotation:	90°
Manual Intervention:	Allowed
Position Indicator:	LED (For closed)
Working Temperature:	0°F + 100°F
Square Drive:	0.43
Audible Alarm:	83 dB
Weight (Lbs.):	0.9

Electric Actuator Power Consumption:

Nominal Voltage:	24 VAC
Absorbed Current:	0.6 A
Absorbed Power:	15 VA
Frequency:	50/60 Hz

Actuator Dimensions:



MA Board of Registration of Plumbers Approved from 06/07/2017 – 06/07/2020 (Code P1-0617-575).



Reliance Detection Technologies, LLC
27 Business Park Drive, Branford, CT 06405

RelianceDetection.com

888-771-4929

• Tel: 203-488-2684 • Fax: 203-481-5036

• info@RelianceDetection.com

